

# Drop-in Replacements

## for Trane® Climatuff® Reciprocating Compressors



*Now, a drop-in replacement for your customers that are working on Trane® units with Climatuff® reciprocating compressors in only two steps!*

**Step One:** Verify it's a Climatuff® reciprocating compressor by asking if it's:

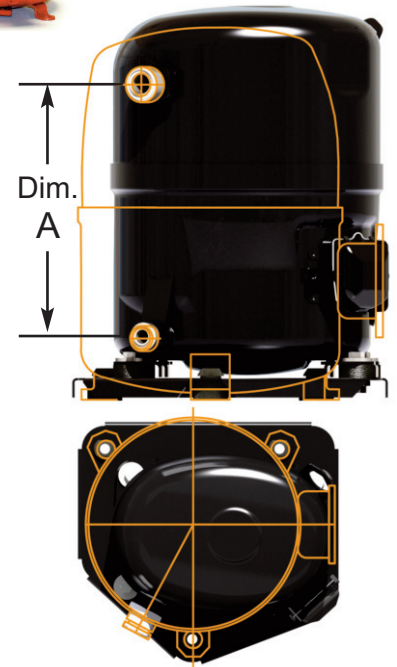
1. **ORANGE** in color?
2. Mounted on three legs?
3. Uses refrigerant R-22?
4. Connections are Rotolock®?

If all answers are **YES**, you now have a replacement opportunity!



**Step Two:** Select the replacement part number in **Table 1** once you determine:

1. The distance between suction to discharge fittings (either 7.5" or 9")  
**and**
2. The nominal capacity in tons



**Table 1**

Drop-in Replacement Part Number	Suction to Discharge (Dimension A) Measure Centerline to Centerline	Nominal Capacity (tons)
HTRB183ABCS	9"	1.5
HTRB253ABCS	9"	2
HTRJ303ABCT	7.5"	2.5
HTRJ363ABCT	7.5"	3

Drop-in replacement part numbers all have the same fit and function as the original reciprocating compressor:

1. **BLACK** in color (and comes with a molded plug in the box)
2. Same three-leg mount
3. Charged with POE oil (so may be used with R-22 or R-407C)
4. Same rotolock configuration as TRANE®, American Standard® and Maneurop®
5. Same suction to discharge fitting distance
6. Same nominal capacity

See cross-reference on back for more details.



**Universal HVAC/R  
Parts and Supplies**

# Cross-reference Table

Trane Compressors				Replacement Compressors														
Trane Model Number*	Trane Part Number	Trane Cylinders	Trane Shell Height (in)	Part Number	Capacity (tons)	Electrical	Cylinders	Rotolock Size (Suction/Discharge)	Suction to Discharge Differential	Ship Weight	Shell Height (in)							
AL17A-AA1-A	COM06961	1	13.0	HTRB183ABCS	1.5	208/230-1-60	2	1.25" S-12THR/ 1" D-14THR	9"	82 lbs	13.2							
AP19A-8A1-JA	COM08671		14.0															
AP21A-BC1-A	COM06355		14.0															
AS17A-AA1-A	COM07003		13.0															
BH173-ZA1-G	COM03728		13.2															
BH193-AB1-GA	COM03719		13.2															
BH193-AB1-GB	COM04324		13.2															
BP173-ZA1-A	COM02795		14.2															
BP173-ZA1-G	COM03693		14.2															
AL22A-CC1-A	COM06400		13.0									HTRB253ABCS	2	208/230-1-60	2	1.25" S-12THR/ 1" D-14THR	9"	86 lbs
AL24A-CD1-A	COM06920	13.0																
AP24A-CD1-JA	COM08672	14.0																
AS22A-CC1-A	COM06965	14.0																
AS24A-CD1-A	COM06980	14.0																
BH223-BC1-GC	COM04326	14.2																
BH233-CC1-GA	COM03729	14.2																
BJ223-BC1-GA	COM03729	14.2																
BP223-BC1-GA	COM06315	14.2																
BP233-CC1-GA	COM06329	14.2																
CP223-BC1-A	COM02750	15.6	HTRJ303ABCT	2.5	208/230-1-60	2	1.25" S-12THR/ 1.25" D-12THR	7.5"	98 lbs	15.9								
CP223-BC1-G	COM03688	15.6																
FH283-EE1-G	COM04272	16.6																
GP283-EE1-A	COM02755	16.6																
GP283-EE1-G	COM03689	16.6																
GP293-EF1-JA	COM08673	15.6																
FH343-FG1-GA	COM03762	16.6									HTRJ363ABCT	3	208/230-1-60	2	1.25" S-12THR/ 1.25" D-12THR	7.5"	98 lbs	16.1
FH373-GG1-GA	COM03717	16.6																
GP343-FG1-GA	COM03690	16.6																
GP373-8F1-JA	COM08676	15.6																
GP373-GG1-A	COM02630	16.6																

\* Cross-references are not limited to suggested models shown. Box dimensions for all replacement compressors are 18 X 18 X 20

## Replacement Compressors Component Chart

Part Number	ARI Capacity	LRA	Start Cap MFD/Volts	Totaline Start Capacitor Part Number	Start Relay	Run Cap MFD/Volts	Totaline Run Capacitor Part Number	Totaline Liquid Line Filter Drier Part Number	Totaline Heat Pump Filter Drier Part Number
HTRB183ABCS	17800	48	161-193/250	P281-1615	GE 3ARR3*3V*()	40/440	P291-4054RS	P502-8083S	P504-H083S
HTRB253ABCS	23000	61	145-175/250	P281-1455	GE 3ARR3*3T*()	40/440	P291-4054RS	P502-8083S	P504-H083S
HTRJ303ABCT	28200	78	189-227/330	P281-1896S	GE 3ARR3*3S*()	40/440	P291-4054RS	P502-8163S	P504-H163S
HTRJ363ABCT	34200	78	189-227/330	P281-1896S	GE 3ARR3*3S*()	50/440	P291-5054RS	P502-8163S	P504-H163S

\* Go to Totaline.com to browse our catalog for additional run capacitors and liquid-line or heat pump driers.



**Universal HVAC/R  
Parts and Supplies**